

1

2

3

4

A

A

B

B

C

C

D

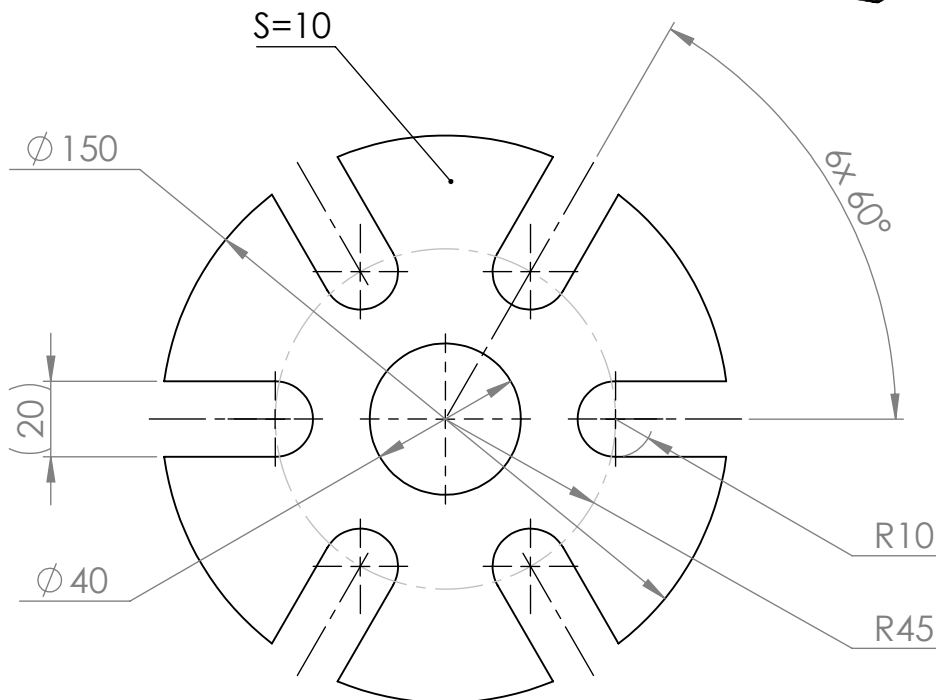
D

E

E

F

F



GENERAL TOLERANCE:  
ISO 2768-m

CREATED BY:  
Kartt

DATE:  
6.11.2022

MATERIAL:  
1.0114 (S235J0)

RESPONSIBLE DEP:  
Konetekniikka

TECHNICAL REF:  
Kartt

CHECKED BY:  
J. DOE

DATE:  
6.11.2022

DOCUMENT STATUS:  
Released

WEIGHT (KG):  
0.928



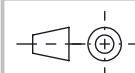
APPROVED BY:  
TK

DATE:  
6.11.2022

DOCUMENT TYPE:  
Part Drawing

TITLE:  
Sketch harjoitus 2

DWG NO.  
CA10-B



|             |               |                 |           |
|-------------|---------------|-----------------|-----------|
| SIZE:<br>A4 | SCALE:<br>1:2 | SHEET:<br>1 / 1 | REV:<br>A |
|-------------|---------------|-----------------|-----------|