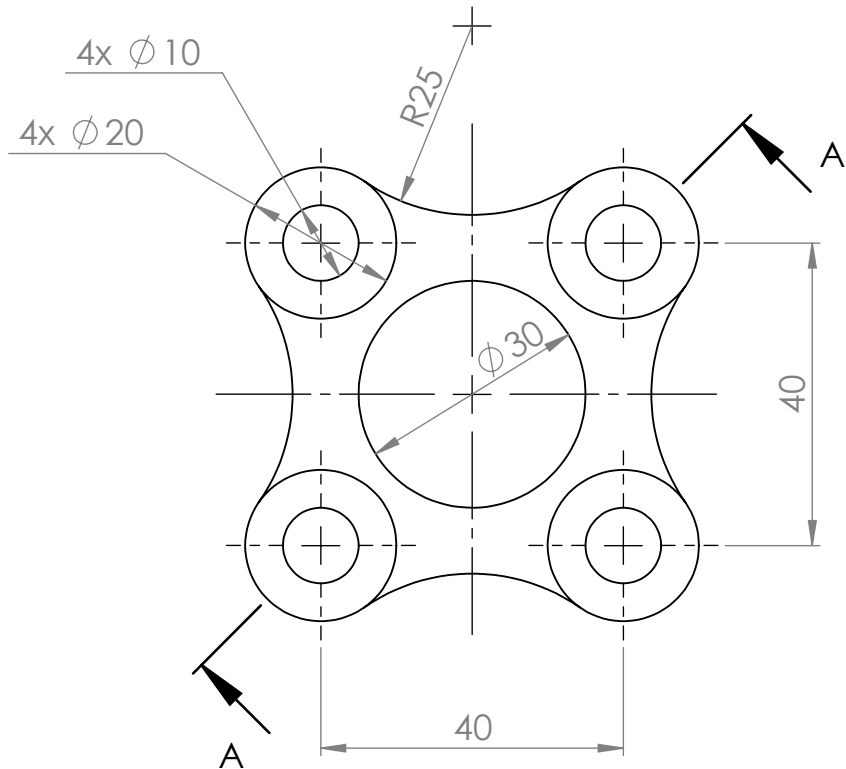
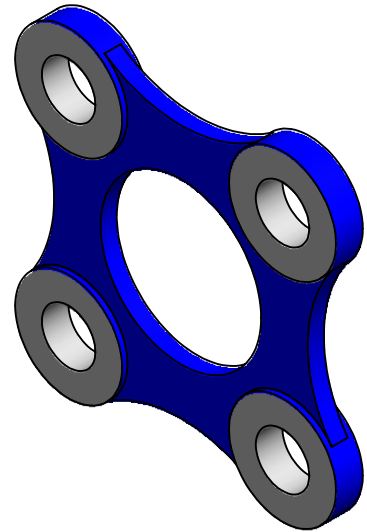
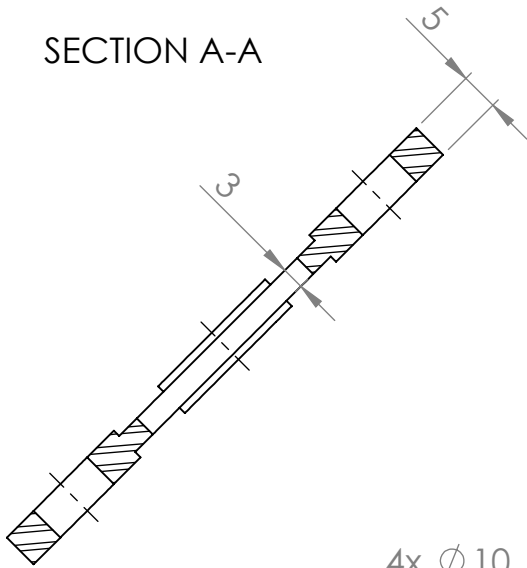


SECTION A-A



GENERAL TOLERANCE:
ISO 2768-m

CREATED BY:
Kartt

DATE:
20.11.2022

MATERIAL:
AISI 304

RESPONSIBLE DEP:
Konetekniikka

TECHNICAL REF:
Kartt

CHECKED BY:
TK

DATE:
9.1.2023

DOCUMENT STATUS:
Released

WEIGHT (KG):
0.06



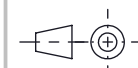
APPROVED BY:
TK

DATE:
9.1.2023

DOCUMENT TYPE:
Part Drawing

TITLE:
Harjoitus Sketch

DWG NO.
CA11-C



SIZE: A4	SCALE: 1:1	SHEET: 1 / 1	REV: A
-------------	---------------	-----------------	-----------